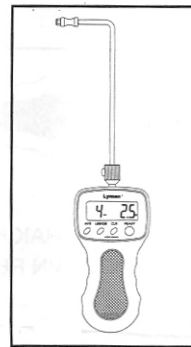


# Operating Instructions For Lyman's Electronic Trigger Pull Gauge

**Important!! Make Sure All Firearms Are Unloaded And In A Safe Condition Before Using This Product!**

The Lyman Trigger Pull Gauge is a battery operated (9 Volt) electronic gauge designed to accurately measure the trigger pull weight up to 12 pounds. The Lyman Trigger Pull Gauge features an easy to read LCD display, indexable trigger hook with roller (Figure #1), and converts from English to Metric measurement at the push of a button. The gauge is capable of calculating an average weight of pull from up to 10 separate weight readings.

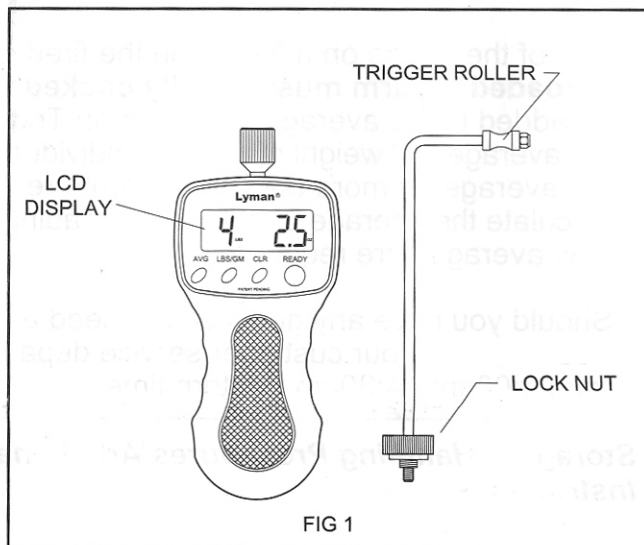


## **Battery Installation/Removal:**

Pull the battery cover down and away from back of the unit. Install a nine (9) volt alkaline battery and reinstall cover. **(Battery Not Included)**

## **Trigger Hook Installation/Removal:**

Install Trigger Hook by threading the rod into the receptacle. Position the trigger hook in the desired location and thread the lock ring down against the receptacle to lock it into position.



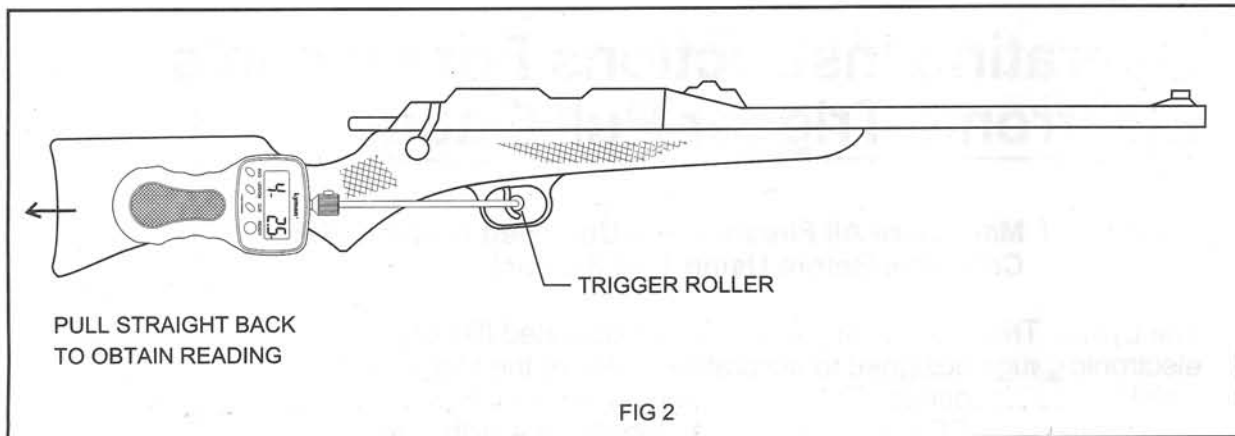
## **Using The Trigger Pull Gauge:**

Begin by depressing the red "ready" button once to activate the unit. The LCD unit will illuminate. Place the black plastic roller of the trigger hook just in front of the gun's trigger but not touching. (See figure #2) Pressing the "ready" button again will produce an audible "beep", thus indicating the gauge is now ready for use.

**Important!! Make Sure All Firearms Are Unloaded And Pointed In A Safe Direction Before Using This Product! It Is Recommended That The Firearm Be Held Securely In A Padded Rest Or Vise.**

For best results, keep the trigger hook parallel with the bore of the gun while weighing the trigger. Failure to follow the above can result in inaccurate or erratic readings by the gauge. Small weight readings may appear as the gauge is moved into position. These are of no concern, as fluctuations up to one (1) ounce will not be recorded. Pull gauge directly rearward in a slow constant motion until the trigger releases. The LCD will display the weight of the pull. The roller should remain placed where trigger finger would be.

**Important!! The Unloaded Firearm Will Need To Be Recoiled For Each Subsequent Trigger Pull Test!**



**Important!! Make Sure All Firearms Are Unloaded And In A Safe Condition Before Using This Product!**

Use of the gauge on a firearm in the fired condition will result in false readings. **The unloaded firearm must be fully cocked with the safety off.** Any false readings will be added to the average. The Lyman Trigger Pull Gauge will automatically calculate the average pull weight of up to 10 individual readings. Push the "AVG" button to display the average. If more than 10 separate readings are conducted, the gauge will always calculate the average of the last 10 readings. Be sure to press the "clear" button when new averages are required.

Should you have any questions or need any further assistance in any way, please feel free to contact our customer service department at (800)22-LYMAN, Monday - Friday from 9:00am - 4:30pm Eastern time.

**Storage & Handling Procedures/Additional Usage Instructions:**

- **CAUTION:** This is a delicate instrument. Proper storage and handling is required.
- Do not apply more than 12 pounds to the gauge or damage may result.
- Press the "CLR" button to clear all data.
- The gauge can measure in kilograms/grams by pressing the "LBS/GM" button.
- The gauge will automatically shut off in three (3) minutes if no buttons are pushed.
- The LCD will display "LO" when battery power runs low.
- Remove battery when storing for extended period of time.
- Do not use gauge in temperatures below 32°F (0°C) or above 104°F (40°C).

**Specifications:**

**Measuring Range:**

1 oz-12 lbs / 2.8 g-5.4 kg

**Resolution:**

0-5 lbs: ± .1 oz

5-12 lbs: ± .5 oz

0-2.2 kg: ± 2 g

2.2-5.4 kg: ± 10 g

**Lyman Products Corporation**  
475 Smith Street, Middletown CT 06457



(800) 22-LYMAN, (860) 632-2020 Fax: (860) 632-1699

